

# Installation manual

## Washer extractor

**WH6–20LAC, WH6–27LAC, WH6–33LAC**  
**Clarus Vibe**

Type W3....



**Electrolux**  
PROFESSIONAL



# Contents

---

## Contents

1	Safety Precautions .....	5
1.1	General safety information.....	6
1.2	Commercial use only.....	6
1.3	Copyright .....	6
1.4	Symbols.....	6
2	Warranty terms and exclusions.....	7
3	Technical data.....	8
3.1	WH6–20LAC, WH6–27LAC, WH6–33LAC.....	8
3.2	Technical data .....	9
3.3	Connections .....	9
4	Setup .....	10
4.1	Unpacking.....	10
4.2	Recycling instruction for packaging .....	12
4.3	Siting .....	13
4.4	Mechanical installation .....	13
5	Water connection .....	15
6	Water hardness and dosage.....	17
6.1	WH6–20LAC .....	17
6.2	WH6–27LAC .....	18
6.3	WH6–33LAC .....	19
7	Connection of external dosing systems .....	20
7.1	Jetsave and Dosave.....	20
7.1.1	Connection of the tube.....	20
8	Drain connection .....	21
9	Electrical connection.....	22
9.1	Electrical installation .....	22
9.2	Electrical connections .....	23
9.3	Machine connection with ferrite.....	24
9.3.1	WH6–20LAC, WH6–27LAC, WH6–33LAC .....	24
9.4	Machine connection.....	25
9.5	Connector with termination resistor .....	26
10	Steam connection .....	27
11	At first power up .....	28
12	Function check.....	29
13	Disposal information .....	30
13.1	Disposal of appliance at end of life .....	30
13.2	Disposal of packing.....	30

The manufacturer reserves the right to make changes to design and component specifications.



## 1 Safety Precautions

- Servicing shall be carried out only by authorized personnel.
- Only authorized spare parts, accessories and consumables shall be used.
- Only use detergent intended for water-wash of textiles. Never use dry cleaning agents.
- The machine shall be connected with new water hoses. Re-used water hoses must not be used.
- The machine's door lock must under no circumstances be bypassed.
- If the machine develops a fault, this must be reported to the person in charge as soon as possible. This is important both for your safety and that of others.
- DO NOT MODIFY THIS APPLIANCE.
- When performing service or replacing parts, the power must be disconnected.
- When the power is disconnected, the operator must see that the machine is disconnected (that the plug is removed and remains removed) from any point to which he has access. If this is not possible, due to the construction or installation of the machine, a disconnection with a locking system in the isolated position shall be provided.
- In accordance with the wiring rules: mount a multi-pole switch prior to the machine to facilitate installation and service operations.
- If different rated voltages or different rated frequencies (separated by a /) are stated at the machine data plate, instructions for adjusting the appliance for operation at the required rated voltage or rated frequency are stated in the installation manual.
- Stationary appliances not fitted with means for disconnection from the supply mains having a contact separation in all poles that provide full disconnection under overvoltage category III, means for disconnection must be incorporated in the fixed wiring in accordance with the wiring rules.
- The openings in the base, shall not be obstructed by a carpet.
- Maximum mass of dry cloth: WH6–20LAC: 21 kg, WH6–27LAC: 27.5 kg, WH6–33LAC: 36.5 kg.
- A-weighted emission sound pressure level at working stations:
  - Wash: WH6–20LAC: <70 dB(A), WH6–27LAC: <70 dB(A), WH6–33LAC: <70 dB(A).
  - Extraction: WH6–20LAC: <70 dB(A), WH6–27LAC: <70 dB(A), WH6–33LAC: <70 dB(A).
- Maximum inlet water pressure: 1000 kPa
- Minimum inlet water pressure: 50 kPa
- Additional requirements for the following countries; AT, BE, BG, HR, CY, CZ, DK, EE, FI, FR, DE, GR, HU, IS, IE, IT, LV, LT, LU, MT, NL, NO, PL, PT, RO, SK, SI, ES, SE, CH, TR, UK:
  - The appliance can be used in an area open to the public.
  - This appliance can be used by children aged from 8 years and above and persons with reduced physical, sensory or mental capabilities or lack of experience and knowledge if they have been given supervision or instruction concerning use of the appliance in a safe way and understand the hazards involved. Children shall not play with the appliance. Cleaning and user maintenance shall not be made by children without supervision.
- Additional requirements for other countries:

- This appliance is not intended for use by persons (including children) with reduced physical, sensory or mental capabilities, or lack of experience and knowledge, unless they have been given supervision or instruction concerning use of the appliance by a person responsible for their safety. Children should be supervised to ensure that they do not play with the appliance.
- This appliance is intended to be used in household and similar applications such as: (IEC 60335-2-7) staff kitchen areas in shops, offices and other working environments, farm houses, by clients in hotels, motels and other residential type environments, bed and breakfast type environments, areas for communal use in blocks of flats or in laundrettes.

### 1.1 General safety information

The machine is only intended for water-wash use.

Do not hose down the machine with water.

In order to prevent damage to the electronics (and other parts) that may occur as the result of condensation, the machine should be placed in room temperature for 24 hours before being used for the first time.




### 1.2 Commercial use only

The machine/machines covered by this manual is/are made for commercial and industrial use only.

### 1.3 Copyright

This manual is intended solely for consultation by the operator and can only be given to third parties with the permission of Electrolux Professional AB company.

### 1.4 Symbols

	Caution
	Caution, high voltage
	Read the instructions before using the machine

## 2 Warranty terms and exclusions

If the purchase of this product includes warranty coverage, warranty is provided in line with local regulations and subject to the product being installed and used for the purposes as designed, and as described within the appropriate equipment documentation.

Warranty will be applicable where the customer has used only genuine spare parts and has performed maintenance in accordance with Electrolux Professional AB user and maintenance documentation made available in paper or electronic format.

Electrolux Professional AB strongly recommends using Electrolux Professional AB approved cleaning, rinse and descaling agents to obtain optimal results and maintain product efficiency over time.

The Electrolux Professional AB warranty does not cover:

- service trips cost to deliver and pick up the product;
- installation;
- training on how to use/operate;
- replacement (and/or supply) of wear and tear parts unless resulting from defects in materials or workmanship reported within one (1) week from the failure;
- correction of external wiring;
- correction of unauthorized repairs as well as any damages, failures and inefficiencies caused by and/or resulting from;
  - insufficient and/or abnormal capacity of the electrical systems (current/voltage/frequency, including spikes and/or outages);
  - inadequate or interrupted water supply, steam, air, gas (including impurities and/or other that does not comply with the technical requirements for each appliance);
  - plumbing parts, components or consumable cleaning products that are not approved by the manufacturer;
  - customer's negligence, misuse, abuse and/or non-compliance with the use and care instructions detailed within the appropriate equipment documentation;
  - improper or poor: installation, repair, maintenance (including tampering, modifications and repairs carried out by third parties not authorized third parties) and modification of safety systems;
  - Use of non-original components (e.g.: consumables, wear and tear, or spare parts);
  - environment conditions provoking thermal (e.g. overheating/freezing) or chemical (e.g. corrosion/oxidation) stress;
  - foreign objects placed in- or connected to- the product;
  - accidents or force majeure;
  - transportation and handling, including scratches, dents, chips, and/or other damage to the finish of the product, unless such damage results from defects in materials or workmanship and is reported within one (1) week of delivery unless otherwise agreed;
- product with original serial numbers that have been removed, altered or cannot be readily determined;
- replacement of light bulbs, filters or any consumable parts;
- any accessories and software not approved or specified by Electrolux Professional AB.

Warranty does not include scheduled maintenance activities (including the parts required for it) or the supply of cleaning agents unless specifically covered within any local agreement, subject to local terms and conditions.

Check on Electrolux Professional AB website the list of authorized customer care.

### 3 Technical data

#### 3.1 WH6-20LAC, WH6-27LAC, WH6-33LAC

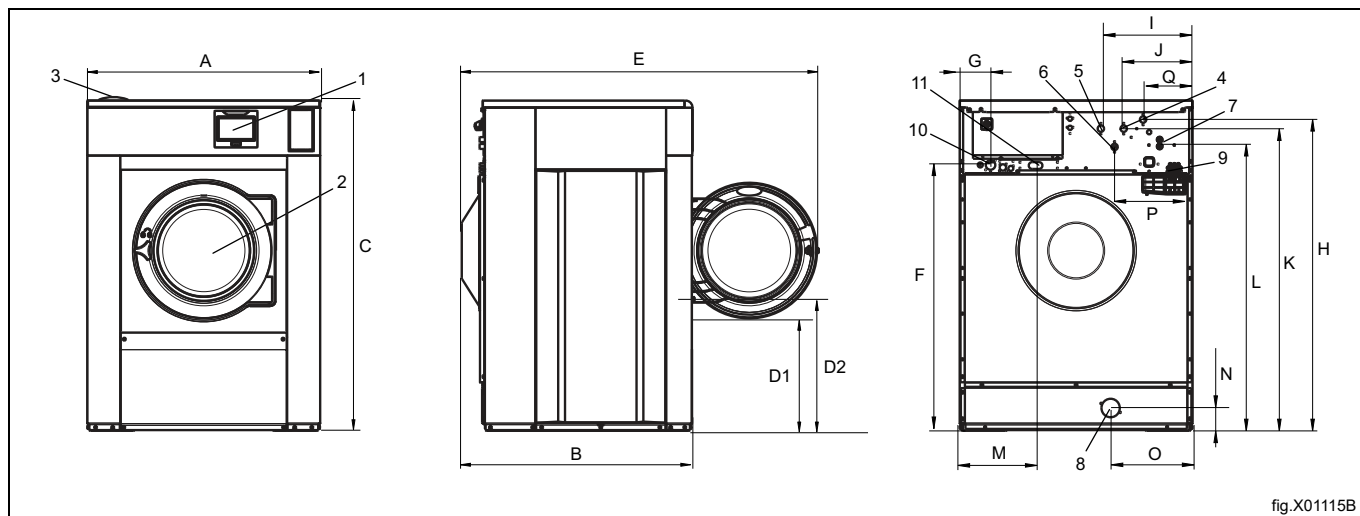


fig.X01115B

1	Display
2	Door opening, WH6-20LAC, WH6-27LAC, WH6-33LAC: $\varnothing$ 435 mm
3	Detergent container
4	Cold water
5	Hot water
6	Cold/Hot water
7	Re-used water
8	Drain valve
9	Liquid detergent supply
10	Electrical connection
11	Steam connection

mm	A	B	C	D1	D2	E	F	G
WH6-20LAC	970	945	1415	470	555	1480	1135	150
WH6-27LAC	1020	990	1450	500	580	1525	1170	135
WH6-33LAC	1020	1135	1450	500	580	1665	1170	135

mm	H	I	J	K	L	M	N	O
WH6-20LAC	1330	400	300	1290	1210	350	105	335
WH6-27LAC	1365	400	300	1325	1245	335	105	360
WH6-33LAC	1365	400	300	1325	1245	335	105	360

mm	P	Q
WH6-20LAC	330	215
WH6-27LAC	340	215
WH6-33LAC	340	215



### 3.2 Technical data

		WH6-20LAC	WH6-27LAC	WH6-33LAC
Weight, net	kg	354	425	560
Drum volume	litres	180	240	300
Drum diameter	mm	725	795	795
Drum speed during wash	rpm	42	40	40
Drum speed during extraction	rpm	1055	1007	1007
G-factor, max.		450	450	450
Heating: Electricity	kW	18	23	23
Heating: Steam		x	x	x
Heating: Hot water		x	x	x
Frequency of the dynamic force	Hz	17.6	16.8	15.8
Floor load at max extraction	kN	4.2 ± 1.0	5.2 ± 1.0	6.2 ± 1.3
Sound power/pressure level at extraction*	dB(A)	84/68	83/68	82/66
Sound power/pressure level at wash*	dB(A)	66/50	64/48	66/50
Heat emission of installed power, max	%	5	5	5

\* Sound power levels measured according to ISO 60704.

### 3.3 Connections

		WH6-20LAC	WH6-27LAC	WH6-33LAC
Water valves	DN BSP	20 3/4"	20 3/4"	20 3/4"
Recommended water pressure	kPa	200-600	200-600	200-600
Continuous operating pressure	kPa	50-800	50-800	50-800
Capacity at 300 kPa	l/min	30	60	60
Drain valve ø outer	mm	75	75	75
Draining capacity	l/min	170	170	170
Steam valve connection	DN BSP	15 1/2"	15 1/2"	15 1/2"
Recommended steam pressure	kPa	300-600	300-600	300-600
Functioning limits for steam valve	kPa	50-800	50-800	50-800

## 4 Setup

### 4.1 Unpacking

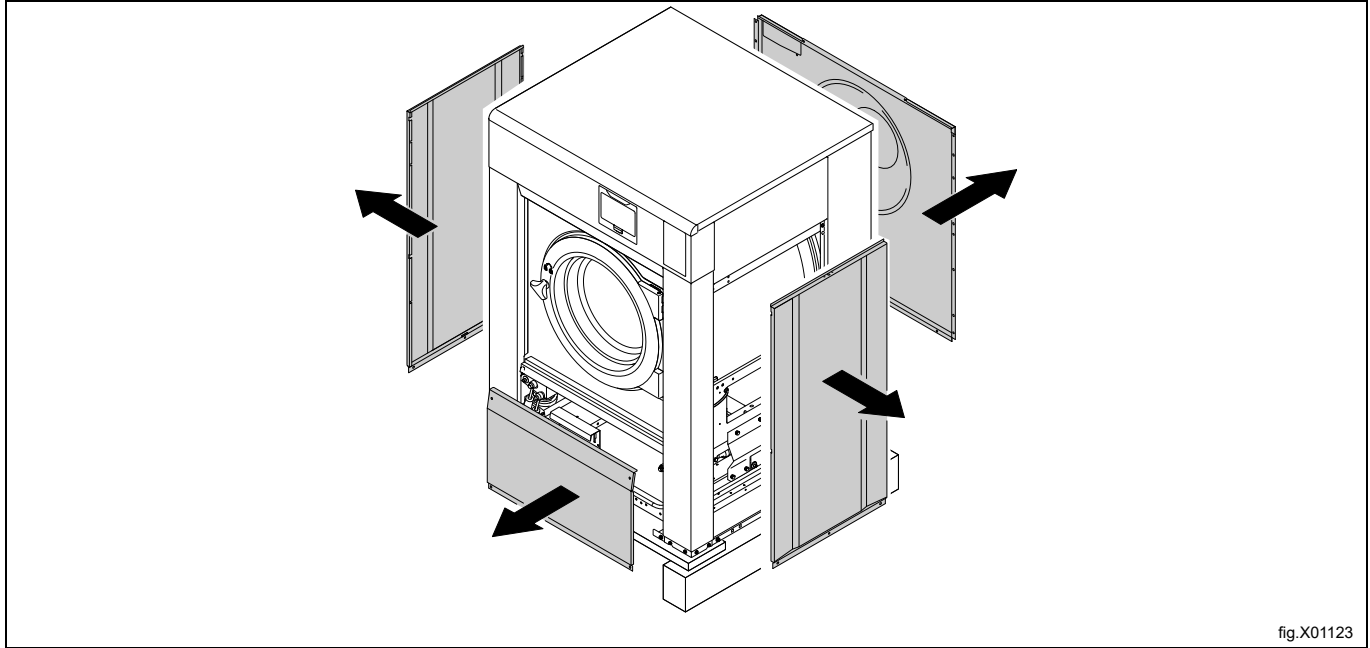
Removal of the bolts between the machine and pallet

**Note!**

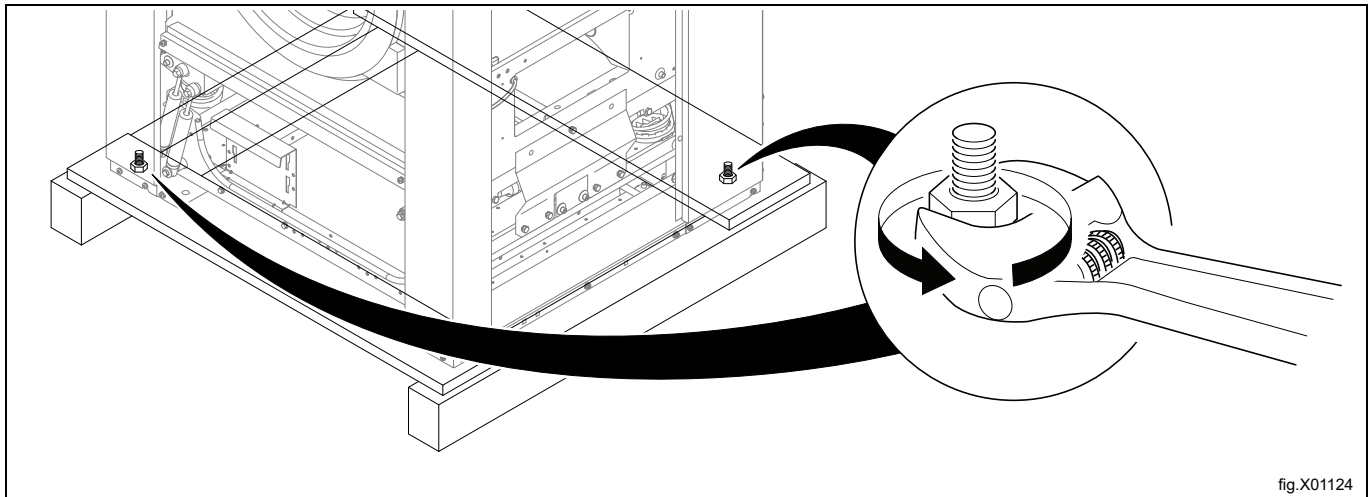
Two persons are recommended for the unpacking.

Remove the side panels.

Remove the front and rear panel.



Remove the bolts between the machine and pallet.



Remove the machine from the pallet.

**Removal of the transport securities**

When the machine is placed in final or close to final position, remove the four transport supports. Save the transport supports if the machine needs to be moved in the future.

**Note!**

Once the transport supports have been removed, handle the machine carefully to avoid damage to the suspension components.

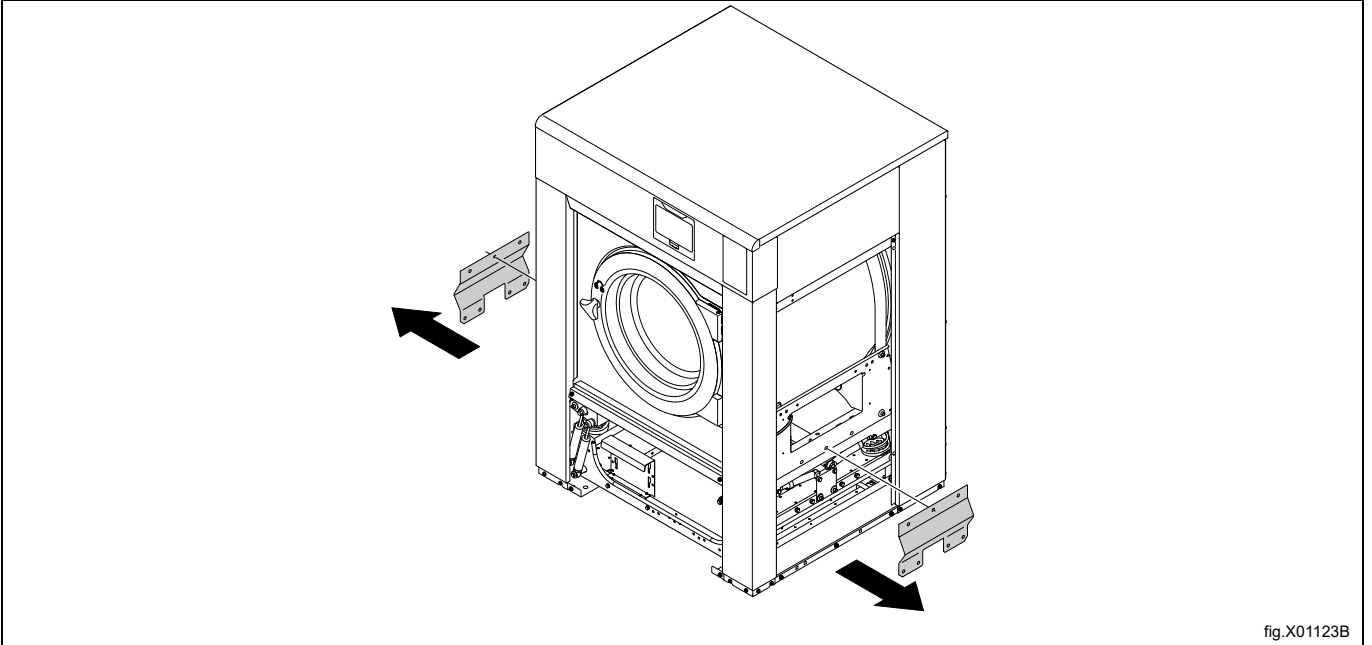
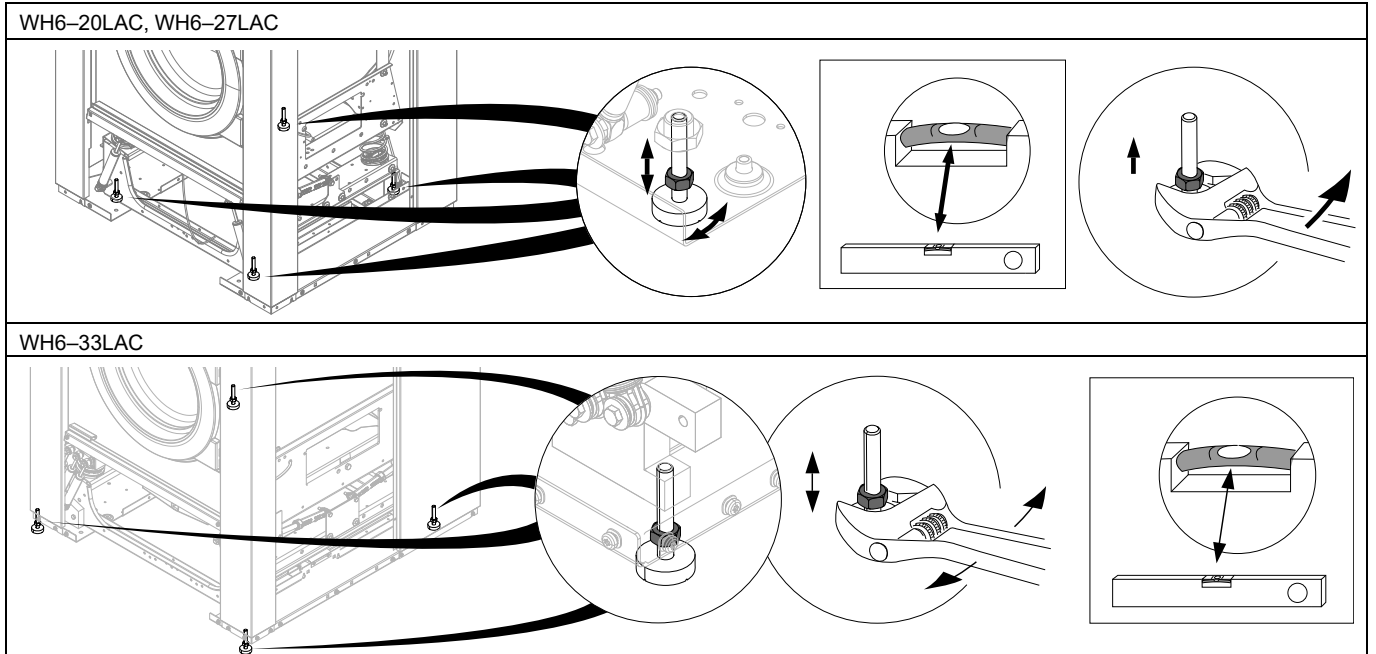


fig.X01123B

When the machine is placed in final position, mount the supporting feet. (If the machine is not to be mounted on a base).



## 4.2 Recycling instruction for packaging

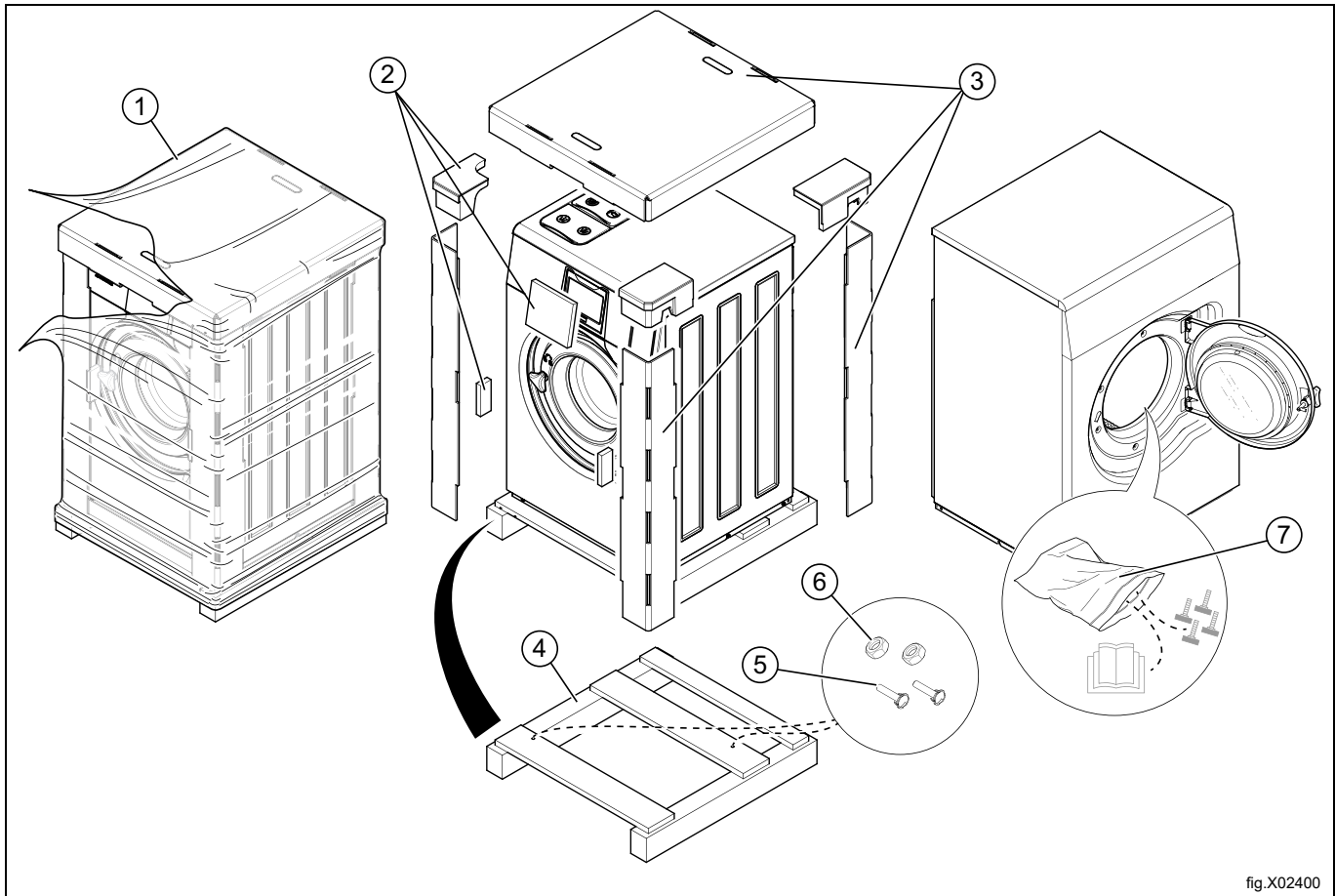


fig.X02400

Fig.	Description	Code	Type
1	Wrapping film	LDPE 4	Plastics
2	Corner protection	PS 6	Plastics
3	Cardboard packaging	PAP 20	Paper
4	Pallet	FOR 50	Wood
5	Screw	FE 40	Steel
6	Nut	FE 40	Steel
7	Plastic bag	PET 1	Plastics

### 4.3 Siting

Install the machine close to a floor drain or open drain.

The machine should be positioned so that there is plenty of room for working, both for the user and service personnel. The figure shows minimum distance to a wall and/or other machines. Failure to respect the prescribed distances will prevent easy access for maintenance and service operations.

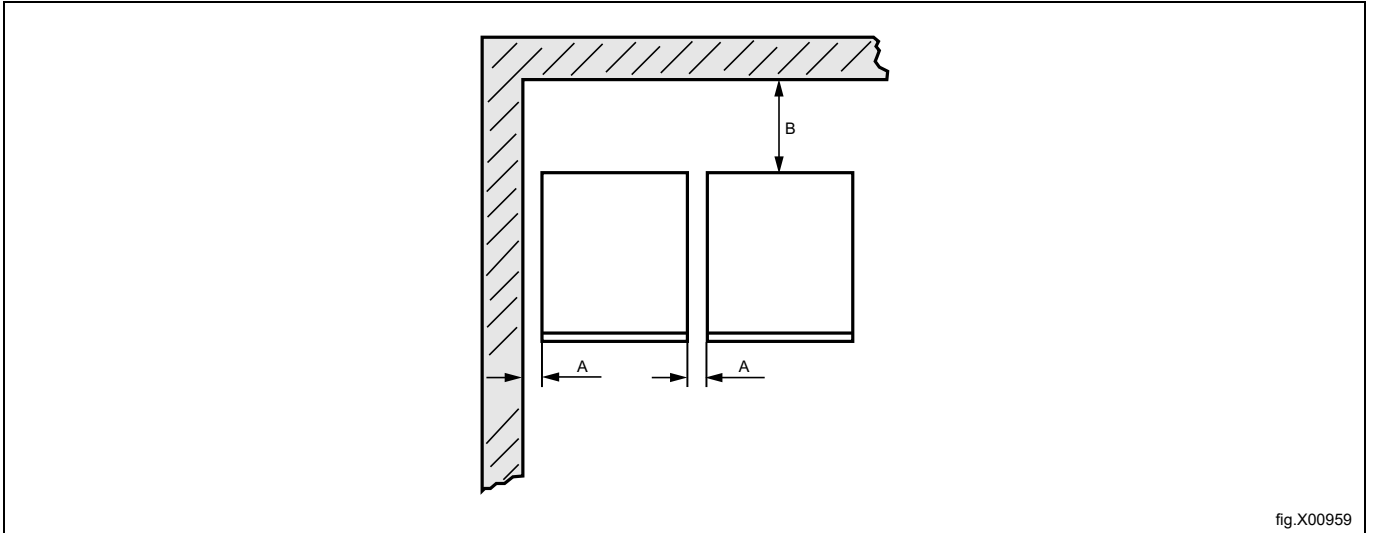


fig.X00959

A	25 mm
B	500 mm

### 4.4 Mechanical installation

If the machine is not to be mounted on a base the machine must be fastened to the floor with the enclosed expansion bolts.

The table shows the correct position of feet and drilling points.

Mark and drill two holes ( $\varnothing$  10 mm) about 50 mm deep in position (1).

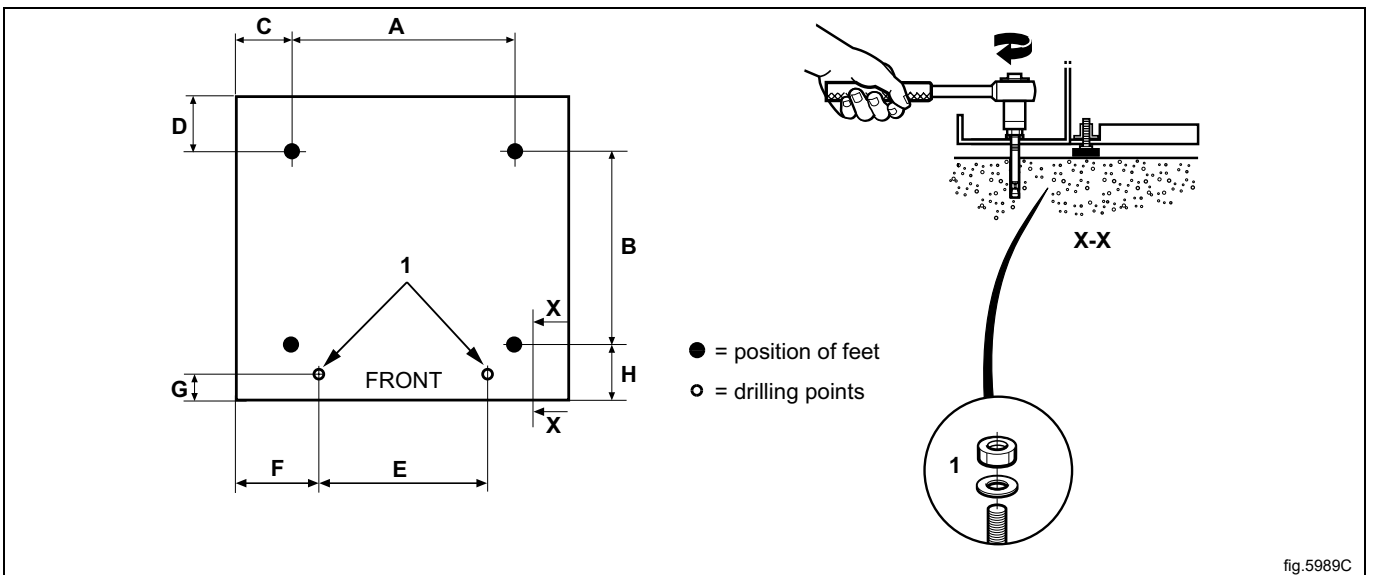


fig.5989C

mm	A	B	C	D	E	F	G	H
WH6-20LAC	715	545	125	205	595	185	65	125
WH6-27LAC	790	615	115	180	670	175	65	125
WH6-33LAC	900	835	60	140	670	175	60	80

Place the machine over the two drilled holes. The holes are at the front of the machine.

Level the machine with the feet of the machine. Screw in the feet as much as possible before starting to level the machine. This will make the machine stand steadier.

The maximum height adjustment of the feet is 50 mm.

Insert the expansion bolts (1) into the holes drilled in the floor. Fit the washers and nuts and tighten with tightening torque 5 Nm.



It is of the utmost importance that the machine is placed in level, from side to side as well as front to rear.  
Remount the panels when ready.

## 5 Water connection

All water intake connections to the machine should be fitted with manual shut-off valves and filters, to facilitate installation and servicing.

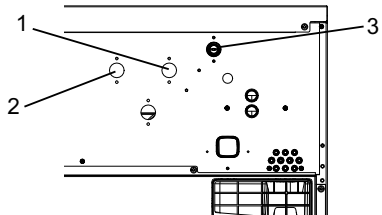
Water pipes and hoses should be flushed clean before installation.

The machine shall be connected with new water hoses. Re-used water hoses must not be used.

Hoses are to be of an approved type and grade and comply with IEC 61770.

After installation hoses must hang in gentle arcs.

All connectors present on the machine must be connected. The table shows the possible connection options, which will depend on the water types to be connected to the machine. Information is also available on the panel above the connections.

	Water type	Water connection
	<ul style="list-style-type: none"> <li>• Cold and hot</li> </ul>	<ol style="list-style-type: none"> <li>1. Cold</li> <li>2. Hot</li> <li>3. Cold (for detergent dispenser) / Hot</li> </ol>

Remove the three plastic covers (A).

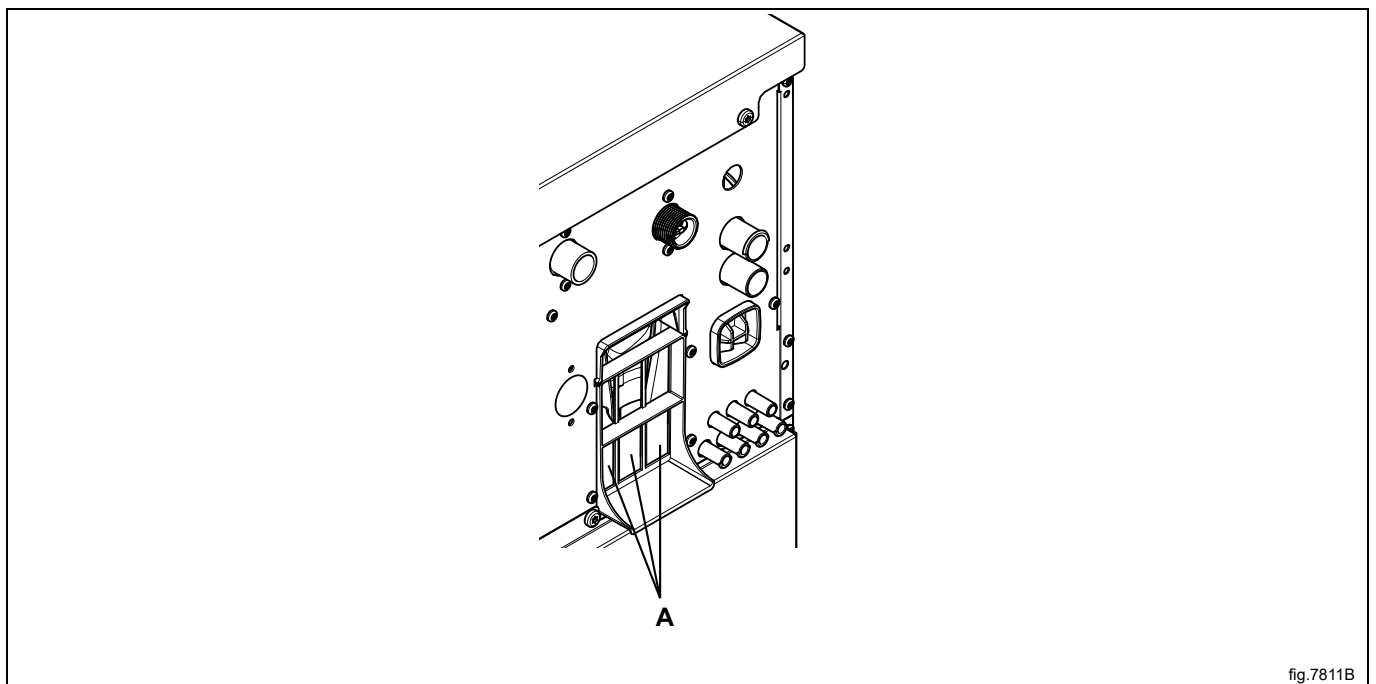


fig.7811B

**Note!**

For unheated machines with Lagoon Advanced Care programs, the programs requires pre heating (25°C) for the cold water valves.

**Note!**

The inlet temperature for cold water must not be higher than 25°C. If so, a water cooling system must be installed.

Water pressure:

Continuous operating pressure: 50–800 kPa (0.5-80 kp/cm<sup>2</sup>)

Maximum: 1000 kPa (10 kp/cm<sup>2</sup>)

Recommended: 200–600 kPa (2–6 kp/cm<sup>2</sup>)

**Note!**

**If the water pressure is below the minimum value, the wash result can not be guaranteed for certain program.**

For WRAS-approved machines; always check connection requirements on WRAS website.

For KIWA-approved machines; always check connection requirements on KIWA website.

For NSF-approved machines; always check connection requirements on NSF website.

**Plumbing**

This machine is approved for all UK applications as suitable for category 5.

The product is listed in the WRAS regulations advisory scheme directory and is suitable for direct connection to mains drinking water. No special plumbing arrangements e.g. break tanks are required.

Water Council approved double check valves should be fitted in between the stopcocks and the water inlet hoses.

**FOR AUSTRALIA:**

The appliance shall be installed in accordance with the Plumbing Code of Australia (the PCA).

The appliance need to be installed using dual check valves.

Contact details for after sales service: [service.au@electroluxprofessional.com](mailto:service.au@electroluxprofessional.com)



## 6 Water hardness and dosage

Check the water hardness at your location and adjust the dosage according to the tables. The tables shows different dosage for different programs.

A water hardness kit is available at Part No. 0S0586.

### 6.1 WH6-20LAC

#### WH6-20LAC with full lagoon load (14 kg)

Water hardness range			ppm	Water softener	W01 - Lagoon Sensitive Detergent	
°D	°F	°E			Program Wool High/Medium With weighing	
°D	°F	°E			Dosage ml/kg	Dosage ml/full load
0-5	0-9	0-6	0-90	Not required	8.3	117
5-10	9-18	6-12	90-180	Preferable	9.6	134
10-15	18-27	12-19	180-270	Recommended	11.7	163
> 15	> 27	> 19	> 270	Highly recommended	12.5	175

Water hardness range			ppm	Water softener	W02 - Lagoon Delicate Detergent			
°D	°F	°E			Program Synthetics- Mix Medium/Low, Curtains With weighing		Program Gentle 40 With weighing	
°D	°F	°E			Dosage ml/kg	Dosage ml/full load	Dosage ml/kg	Dosage ml/full load
0-5	0-9	0-6	0-90	Not required	8.3	117	6.0	84
5-10	9-18	6-12	90-180	Preferable	9.6	134	7.0	98
10-15	18-27	12-19	180-270	Recommended	11.7	163	8.0	112
> 15	> 27	> 19	> 270	Highly recommended	12.5	175	9.0	126

Water hardness range			ppm	Water softener	W03 - Lagoon Sensitive Conditioner			
°D	°F	°E			Program Wool High/Medium With weighing		Synthetics- Mix Medium/Low, Curtains, Gentle 40 With weighing	
°D	°F	°E			Dosage ml/kg	Dosage ml/full load	Dosage ml/kg	Dosage ml/full load
0-5	0-9	0-6	0-90	Not required	10.0	140	3.4	48
5-10	9-18	6-12	90-180	Preferable	11.5	161	3.8	53
10-15	18-27	12-19	180-270	Recommended	14.0	196	4.4	62
> 15	> 27	> 19	> 270	Highly recommended	15.0	210	5.4	76

## 6.2 WH6-27LAC

### WH6-27LAC with full lagoon load (19 kg)

Water hardness range			ppm	Water softener	<b>W01 - Lagoon Sensitive Detergent</b>	
°D	°F	°E			Program Wool High/Medium With weighing	
					Dosage ml/kg	Dosage ml/full load
0-5	0-9	0-6	0-90	Not required	8.3	158
5-10	9-18	6-12	90-180	Preferable	9.6	182
10-15	18-27	12-19	180-270	Recommended	11.7	222
> 15	> 27	> 19	> 270	Highly recommended	12.5	238

Water hardness range			ppm	Water softener	<b>W02 - Lagoon Delicate Detergent</b>			
°D	°F	°E			Program Synthetics- Mix Medium/Low, Curtains With weighing		Program Gentle 40 With weighing	
					Dosage ml/kg	Dosage ml/full load	Dosage ml/kg	Dosage ml/full load
0-5	0-9	0-6	0-90	Not required	8.3	158	6.0	114
5-10	9-18	6-12	90-180	Preferable	9.6	172	7.0	133
10-15	18-27	12-19	180-270	Recommended	11.7	222	8.0	152
> 15	> 27	> 19	> 270	Highly recommended	12.5	238	9.0	171

Water hardness range			ppm	Water softener	<b>W03 - Lagoon Sensitive Conditioner</b>			
°D	°F	°E			Program Wool High/Medium With weighing		Synthetics- Mix Medium/Low, Curtains, Gentle 40 With weighing	
					Dosage ml/kg	Dosage ml/full load	Dosage ml/kg	Dosage ml/full load
0-5	0-9	0-6	0-90	Not required	10.0	190	3.4	65
5-10	9-18	6-12	90-180	Preferable	11.5	219	3.8	72
10-15	18-27	12-19	180-270	Recommended	14.0	266	4.4	84
> 15	> 27	> 19	> 270	Highly recommended	15.0	285	5.4	103

### 6.3 WH6-33LAC

#### WH6-33LAC with full lagoon load (23 kg)

Water hardness range			ppm	Water softener	W01 - Lagoon Sensitive Detergent	
°D	°F	°E			Program Wool High/Medium With weighing	
°D	°F	°E			Dosage ml/kg	Dosage ml/full load
0-5	0-9	0-6	0-90	Not required	8.3	192
5-10	9-18	6-12	90-180	Preferable	9.6	220
10-15	18-27	12-19	180-270	Recommended	11.7	268
> 15	> 27	> 19	> 270	Highly recommended	12.5	288

Water hardness range			ppm	Water softener	W02 - Lagoon Delicate Detergent			
°D	°F	°E			Program Synthetics- Mix Medium/Low, Curtains With weighing		Program Gentle 40 With weighing	
°D	°F	°E			Dosage ml/kg	Dosage ml/full load	Dosage ml/kg	Dosage ml/full load
0-5	0-9	0-6	0-90	Not required	8.3	192	6.0	138
5-10	9-18	6-12	90-180	Preferable	9.6	220	7.0	161
10-15	18-27	12-19	180-270	Recommended	11.7	268	8.0	184
> 15	> 27	> 19	> 270	Highly recommended	12.5	288	9.0	207

Water hardness range			ppm	Water softener	W03 - Lagoon Sensitive Conditioner			
°D	°F	°E			Program Wool High/Medium With weighing		Synthetics- Mix Medium/Low, Curtains, Gentle 40 With weighing	
°D	°F	°E			Dosage ml/kg	Dosage ml/full load	Dosage ml/kg	Dosage ml/full load
0-5	0-9	0-6	0-90	Not required	10.0	230	3.4	78
5-10	9-18	6-12	90-180	Preferable	11.5	265	3.8	87
10-15	18-27	12-19	180-270	Recommended	14.0	322	4.4	101
> 15	> 27	> 19	> 270	Highly recommended	15.0	345	5.4	124

## 7 Connection of external dosing systems

Depending on which type of dosing system that is going to be connected, follow the instructions enclosed with the dosing system.

The following is some preparations that can be made on the machine.

### 7.1 Jetsave and Dosave

#### 7.1.1 Connection of the tube

The machine is prepared for connection to the dosing systems Jetsave and Dosave.

The connections are closed at delivery. Open any of the connections that shall be used by drilling a hole where the tube shall be connected.

#### Note!

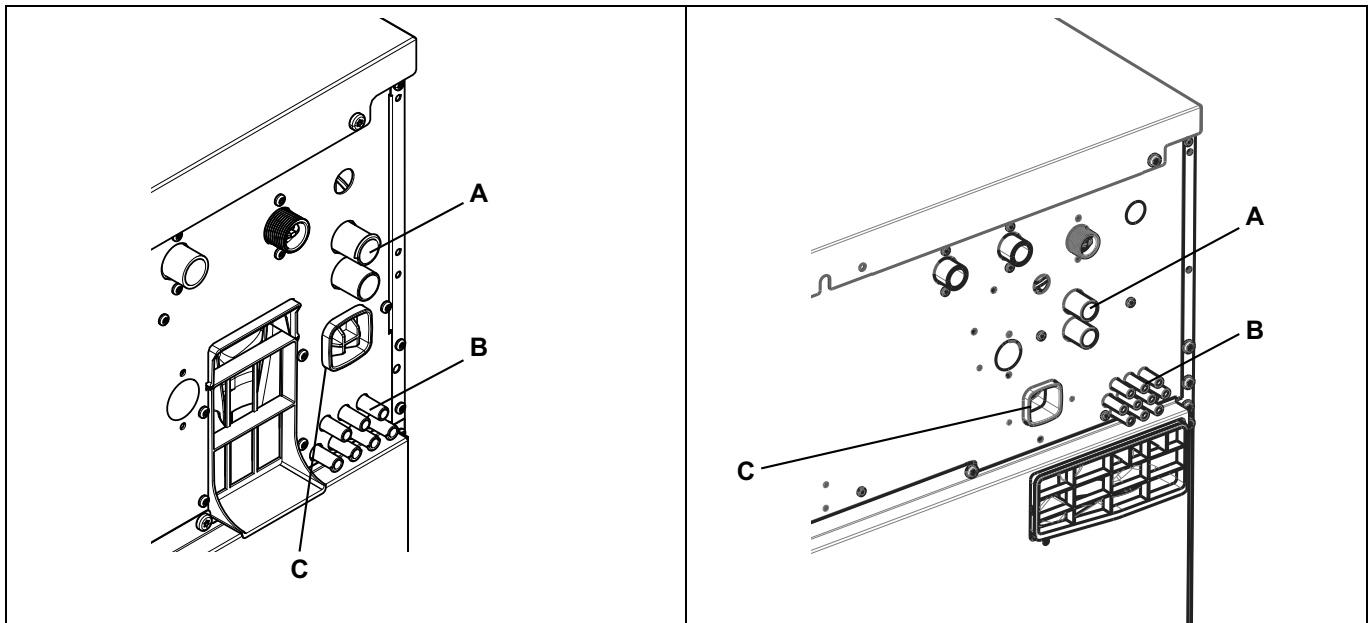
**Make sure there is no burrs left after drilling. When removing burrs make sure burrs does not fall into the siphon breaker.**

A =  $\varnothing$  17 mm (used for dosing systems).

B =  $\varnothing$  6 mm (used for dosing systems).

C = Only used for flush manifold. (Separate instructions enclosed when ordering).

Depending on which detergent container that is used on the machine, the rear view can be either of the examples below.



Always connect hoses on connections (A) with a hose clamp.

For connections (B); if the hoses are made of a soft material such as silicone or similar, use a cable tie to fasten the hose on the connection. If the hoses are made of a hard material, it is not recommended to make the connection tighter by using a cable tie.

#### Note!

**Equipment for external dosing must only be connected to work on pump pressure and not on network pressure.**

## 8 Drain connection

Connect a 75 mm pipe or rubber hose to the machine's drain pipe, ensuring a downward flow from the machine. Avoid sharp bends which may prevent proper draining.

The machine may drain in to a drainage through or into a closed drain system. In either case, be sure to comply with all applicable national and local plumbing code provisions.

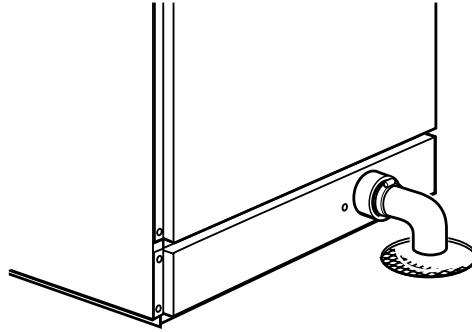


fig.5330

## 9 Electrical connection

### 9.1 Electrical installation



The electrical installation may only be carried out by qualified personnel.



Machines with frequency-controlled motors can be incompatible with certain types of earth leakage circuit breaker. It is important to know that the machines are designed to provide a high level of personal safety, which is why items of external equipment such as earth leakage circuit breakers are not necessary but is recommended. If you still want to connect your machine across an earth leakage circuit breaker, please remember the following:

- contact a skilled, authorised installation company to ensure that the appropriate type of breaker is chosen and that the dimensioning is correct
- for maximum reliability, connect only one machine per earth leakage circuit breaker
- it is important that the earth wire is properly connected.

In instances where the machine is not equipped with an omni-polar switch, one must be installed beforehand.

In accordance with the wiring rules: mount a multi-pole switch prior to the machine to facilitate installation and service operations.

The connecting cable shall hang in a gentle curve.

When connecting to a terminal block, the connection cable shell must be stripped 10-11 mm. The cable area must be at least 0.5 mm<sup>2</sup> and no more than 4 mm<sup>2</sup> (AWG12/AWG20). The terminal block used is a spring loaded cage clamp.

For AU/NZ: Fixed wiring is in accordance with AS/NZS 3000.

## 9.2 Electrical connections

### WH6-20LAC

Heating alternative	Main voltage	Hz	Heating power kW	Total power kW	Recommended fuse A
Electric heated	220-240V 3 ~	50/60	18.0	18.3	50
	380-415V 3N ~	50/60	18.0	18.3	32
	440V 3 ~	60	18.0	18.4	25
	480V 3 ~	60	18.0	18.4	25
Non heated/Steam heated	220-480V 1 ~	50/60	*	2.3	10

### WH6-27LAC

Heating alternative	Main voltage	Hz	Heating power kW	Total power kW	Recommended fuse A
Electric heated	220-240V 3 ~	50/60	19.8/23.0	20.5/23.7	63
	380-415V 3 ~	50/60	19.8/23.0	20.5/23.7	32/35
	440V 3 ~	60	21.0/23.0	21.7/23.7	32
	480V 3 ~	60	22.8/23.0	23.5/23.7	32
	220-230V 3 ~	50/60	19.1	19.8	63
	380-400V 3 ~	50/60	19.1	19.8	32
Non heated/Steam heated	220-240V 1 ~	50/60	*	2.5	16
	380-480V 1 ~	50/60	*	2.5	10
	230/400V 1 ~	50	*	2.5	10

### WH6-33LAC

Heating alternative	Main voltage	Hz	Heating power kW	Total power kW	Recommended fuse A
Electric heated	220-230V 3 ~	50/60	19.1	19.4	50
	220-240V 3 ~	50/60	19.8/23.0	20.2/23.3	50/63
	380-400V 3N/3 ~	50/60	19.1	19.6	32
	380-415V 3N/3 ~	50/60	19.8/23.0	20.1/23.3	32/35
	440V 3 ~	50/60	21.0/23.0	21.4/23.3	32/32
	480V 3 ~	60	22.8/23.0	23.2/23.4	32/32
Non heated/Steam heated	220-415V 1/3N ~	50/60	*	3.5	16
	380-480V 3 ~	50/60	*	3.5	10

\* Total power and recommended fuse does not depend on the heating power in those cases.

### 9.3 Machine connection with ferrite

#### 9.3.1 WH6-20LAC, WH6-27LAC, WH6-33LAC

To obtain approved level of EMC, it is mandatory to use the ferrite which is enclosed with above listed models. (Note that this is only valid for those models).

Before connecting to the machine, the protective earth (PE) wire shall be wrapped around the ferrite.

Prepare the power cord by making sure the protective earth (PE) wire is longer than the other wires according to the table.

Wire size	L	x times through
AWG14 or 2.5 mm <sup>2</sup>	230 mm	x 4
AWG12 or 4 mm <sup>2</sup>	250 mm	x 4
AWG10 or 6 mm <sup>2</sup>	270 mm	x 4
AWG8 or 10 mm <sup>2</sup>	290 mm	x 4
AWG6 or 16 mm <sup>2</sup>	330 mm	x 4
AWG4 or 25 mm <sup>2</sup>	490 mm	x 4

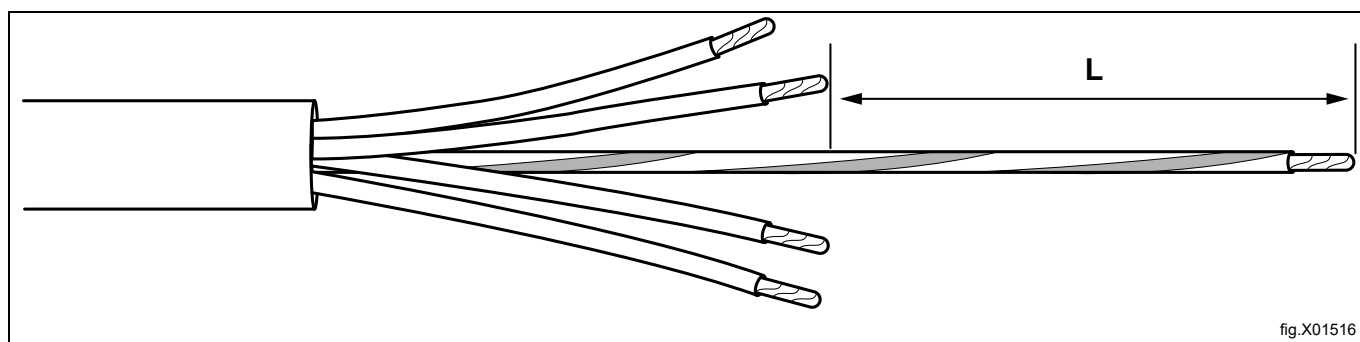


fig.X01516

When the power cord has been prepared according to the table, wrap the protective earth (PE) wire through the ferrite and then connect all wires according to the “Machine connection” section.

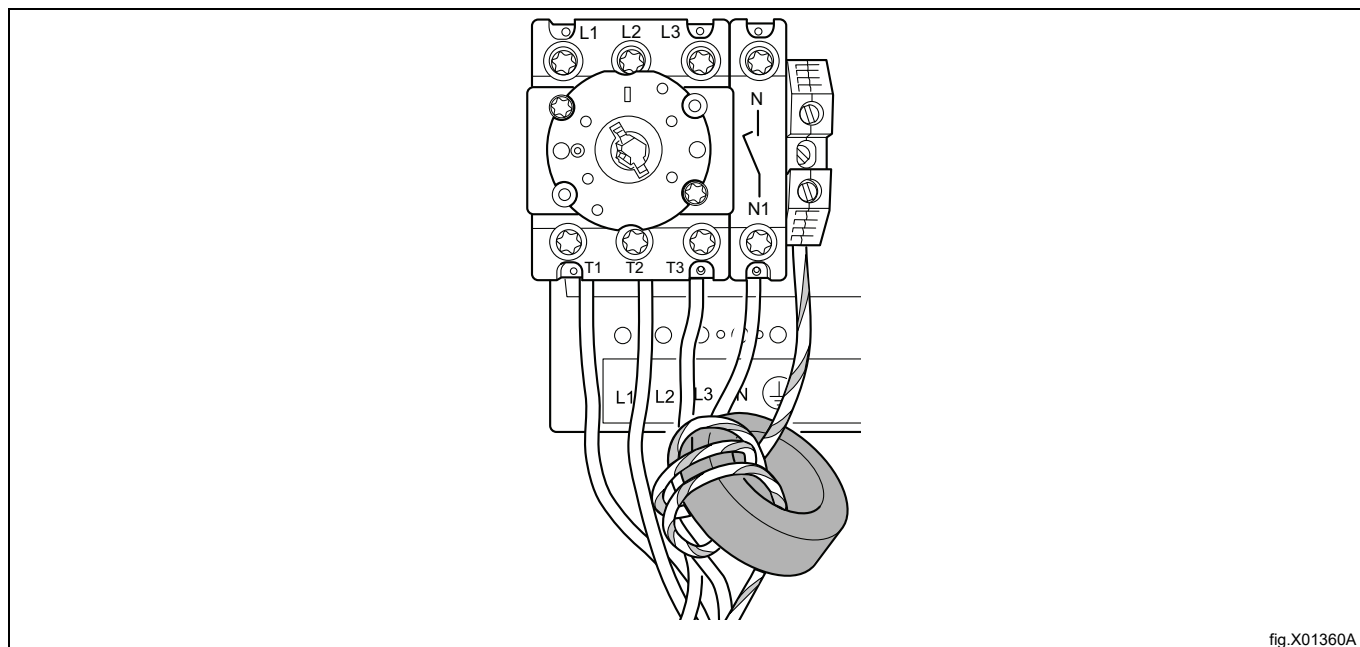


fig.X01360A



### 9.4 Machine connection

Connect the earth and other wires according to the table.

Single-phase connection		Three-phase connection	
1NAC		3AC	
1AC		3N AC	
1N/1		3N AC	

Single phase machines may be powered either by connection between a phase and neutral or by connecting between two phases.

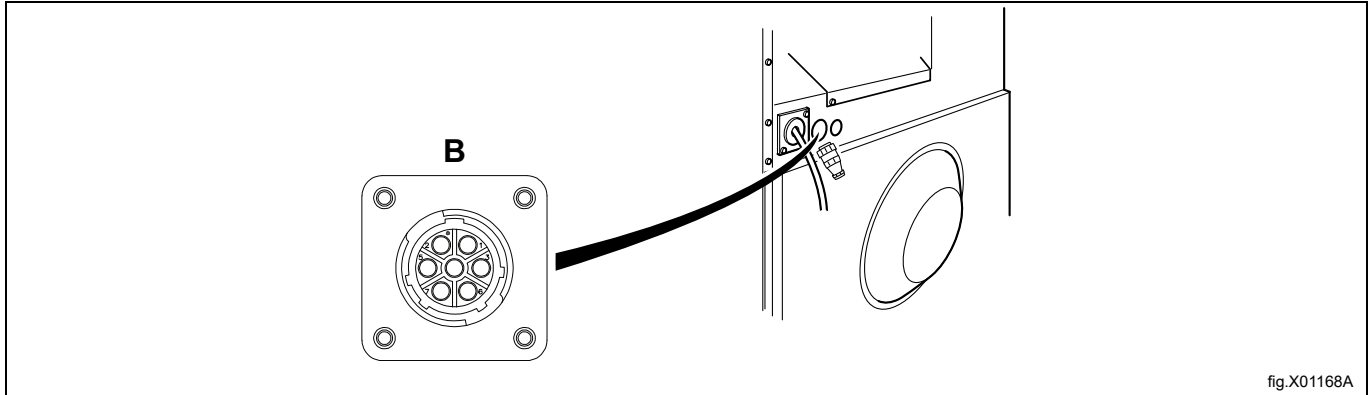
Example:

Machines for 220-240V single phase may be powered from 380V or 400V or 415V system by connection between a phase and neutral or from 220V or 230V or 240V system by connection between two phases.

## 9.5 Connector with termination resistor

If no external dosing systems shall be connected to the machine the enclosed connector with termination resistor must be connected at the rear of the machine.

- Connect the connector with termination resistor to connection B.



### 10 Steam connection

Inlet pipes connected to the machine must be equipped with a manual shut-off valve to facilitate installation and servicing. The connection hose must be of type ISO/1307- 1983 or equivalent.

Connection size at filter: DN 15 (BSP 1/2").

Demount the top panel (A). Demount the casing (B).

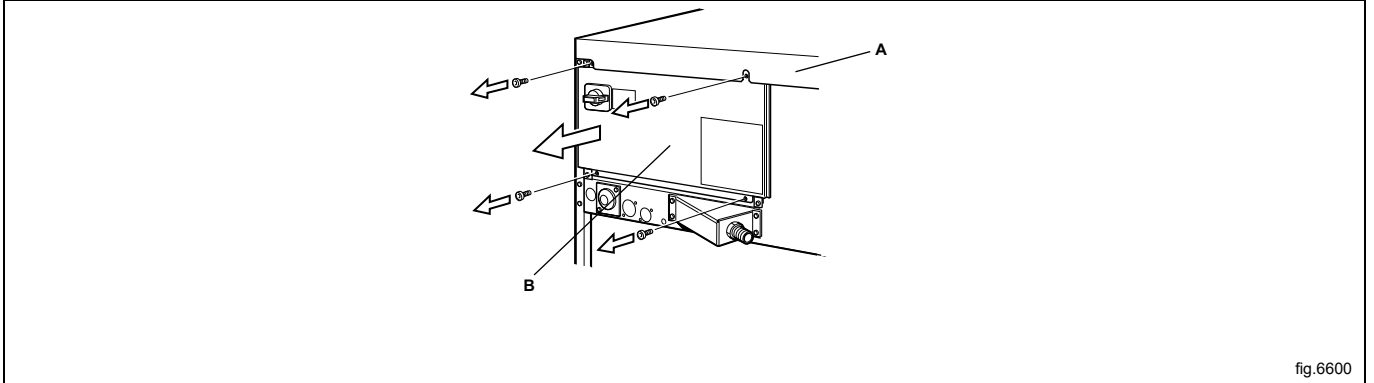


fig.6600

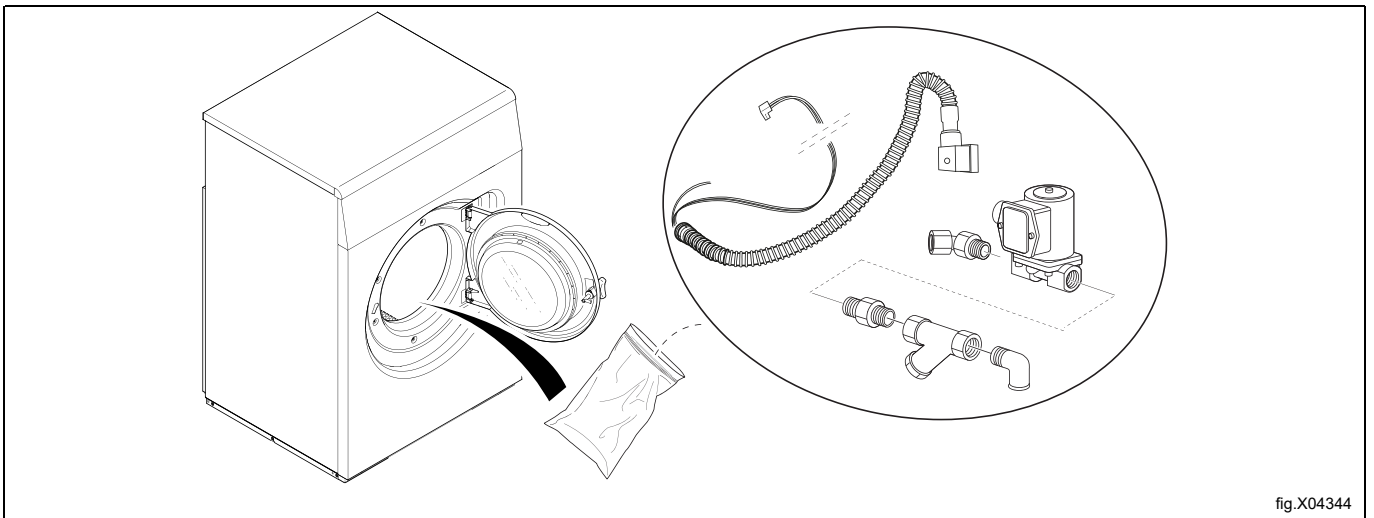


fig.X04344

Mount the nipple to the steam valve. Mount the steam valve on the machine. Mount nipple, strainer and elbow. Note the direction of the strainer. Mount steam hose to the elbow. Check that there are no sharp angles or bends on the connected steam hose.

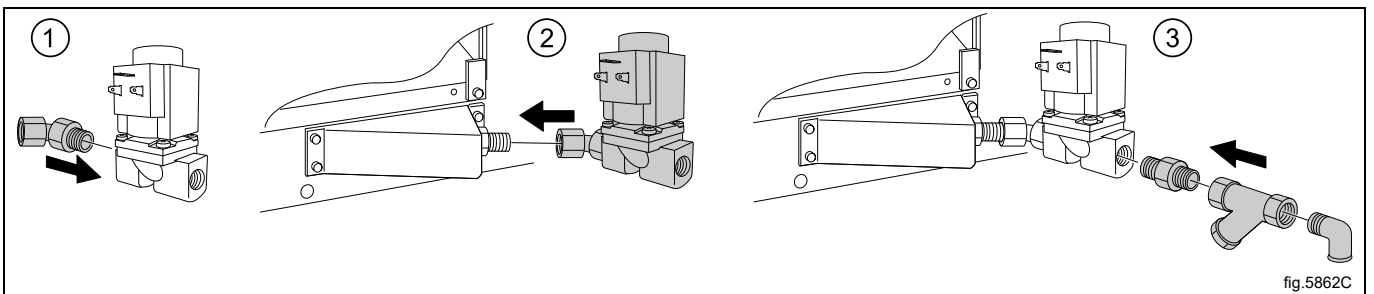


fig.5862C

Mount the hose with wires between steam valve and machine. Connect the wires to the steam valve. Connect ground cable to the terminal ground connection. Connect the "HEAT" cable connector to the "HEAT" terminal on the I/O board.

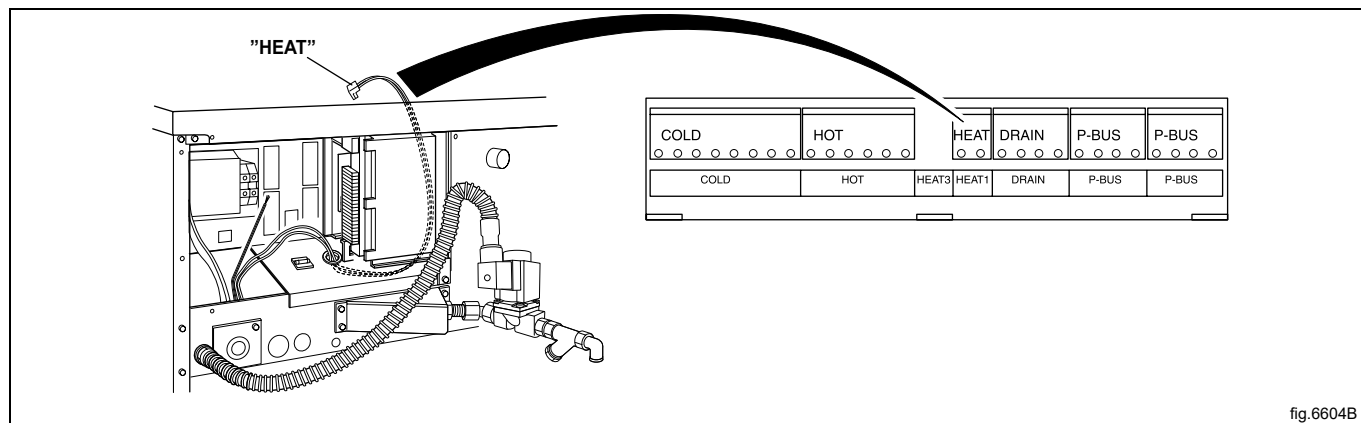


fig.6604B

Steam pressure required:

- minimum: 50 kPa (0.5 kp/cm<sup>2</sup>)
- maximum: 800 kPa (8 kp/cm<sup>2</sup>)
- recommended: 600 kPa (6 kp/cm<sup>2</sup>)

### Note!

**A steam heated machine is only intended to use clean steam.**

## 11 At first power up

When the installation is complete and the power is connected for the first time you will be forced to make some settings. Follow the instructions on the display. When one setting is ready you will automatically enter the next one.

If installation is made in a public area, it is only allowed to select the below segments:

APARTMENT AUTO DOSING  
 APARTMENT MANUAL DOSING  
 APARTMENT BUILDING MATS  
 LAUNDROMAT/LAUNDERETTE  
 LAUNDROMAT/LAUNDERETTE WASCOMAT  
 LAUNDROMAT/LAUNDERETTE MENCH  
 CAMPING/MARINA  
 OTHER SELF SERVICE

## 12 Function check



May only be carried out by qualified personnel.



A function check must be made when the installation is finished and before the machine can be ready to be used.

Open the manual water valves.

Start a program.

- Check that the drum rotates normally and that there are no unusual noises.
- Check that there are no leaks in water supply/drain connections.
- Check that water passes through the detergent container.
- Check that the door cannot be opened during a program.

### Ready to use

If all tests are OK the machine is now ready to be used.

If some of the tests failed, or deficiencies or errors are detected, please contact your local service organisation or dealer.

## 13 Disposal information

### 13.1 Disposal of appliance at end of life

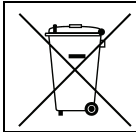
Before disposing of the machine, make sure to carefully check its physical condition, and in particular any parts of the structure that can give or break during scrapping.

The machine's parts must be disposed of in a differentiated way, according to their different characteristics (e.g. metals, oils, greases, plastic, rubber, etc.).

Different regulations are in force in the various countries, therefore comply with the provisions of the laws and competent bodies in the country where scrapping takes place.

In general, the appliance must be taken to a specialised collection/scrapping centre.

Dismantle the appliance, grouping the components according to their chemical characteristics, remembering that the compressor contains lubricant oil and refrigerant fluid which can be recycled, and that the refrigerator and heat pump components are special waste assimilable with urban waste.



The symbol on the product indicates that this product should not be treated as domestic waste, but must be correctly disposed of in order to prevent any negative consequences for the environment and human health. For further information on the recycling of this product, contact the local dealer or agent, the Customer Care service or the local body responsible for waste disposal.




#### Note!

**When scrapping the machine, any marking, this manual and other documents concerning the appliance must be destroyed.**

### 13.2 Disposal of packing

The packing must be disposed of in compliance with the current regulations in the country where the appliance is used. All the packing materials are environmentally friendly.

They can be safely kept, recycled or burned in an appropriate waste incineration plant. Recyclable plastic parts are marked as following examples.

	Polyethylene: <ul style="list-style-type: none"> <li>• Outer wrapping</li> <li>• Instructions bag</li> </ul>
	Polypropylene: <ul style="list-style-type: none"> <li>• Straps</li> </ul>
	Polystyrene foam: <ul style="list-style-type: none"> <li>• Corner protectors</li> </ul>





Electrolux Professional AB  
341 80 Ljungby, Sweden  
[www.electroluxprofessional.com](http://www.electroluxprofessional.com)